

Technical data

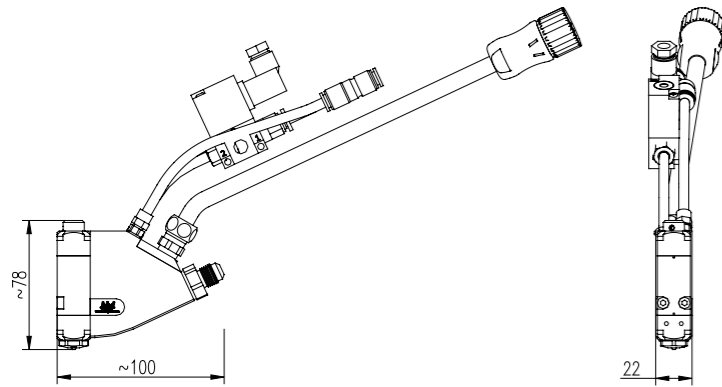
Model	Temperature range	Operating voltage heating	Temperature monitoring	Frequency*	Connection
HM-500	0...200°C 32...392°F	Xmelt controlled	Pt 100	max. 150 Hz	15 pole Xmelt plug

Hose connection	Glue pressure	Glue viscosity	Control air	Attachment
1/2" UNF	max. 80 bar max. 1160 PSI	max. 60,000 mPa.s	4...8 bar, 58...116PSI oil free, dry	via top cover with M10x1 thread

* depending on gun size, glue, etc., dot application always depends on the production speed

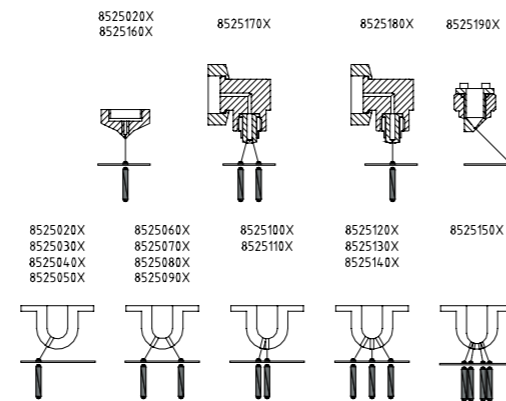
HM-500 gun

All specifications subject to change without prior notice.



Bolt-on nozzles

All specifications subject to change without prior notice.



Xmelt® melters in connection with Xmelt® hotmelt hoses and guns create a hotmelt application system deserving of the name.

The central melter recognises all connected modules including their history and automatically optimises the system parameters. This makes setting up the system easier, safer and quicker for you.

The Xmelt® melters transform glue granules, pellets or blocks into liquid form and regulate the process pressures as well as the temperatures in the entire system. The melter controls the hotmelt application guns by pumping the liquid through heated hoses to the independently heated guns where this is applied to the surface of your packaging at optimum temperature and ideal pressure.

One source for everything

We offer complete solutions for your production.

We train your team

We offer certified training courses for your technicians and users.

Further information and product advantages can be found under www.xmelt.com



Baumer hhs GmbH
Adolf-Dembach-Straße 7 · 47829 Krefeld · Germany
Phone +49 (0)2151 4402-0 · Fax +49 (0)2151 4402-111
info.de@baumerhhs.com · www.baumerhhs.com



Member of the Baumer Group

Let's stick together



HM-500. Powerful variations.
Compact - robust - reliable.

Gluing Systems
Quality Assurance Systems
Camera Verification Systems

HM-500 series: Hotmelt application with Xmelt® InterActive technology

The ideal head for every application

- a multitude of variants and glue applications
- compact, narrow design
- for adhesives with a viscosity of up to 60,000 mPa.s
- high switching frequency 150 cycles/second and 9,000 cycles/minute
- excellent tear off behavior even at quick intervals
- excellent restart behaviour
- long life due to high quality finish and materials
- control via Baumer hhs controller or PLC
- optimised heat distribution
- gun opening and closing via compressed air
- adjustable needle stroke
- easily accessible wear-and-tear parts
- extensive range of brackets
- also available as spray, Spiramelt or slot coating gun head
- angular, double/multiple application guns can be delivered
- special designs and guns upon request

Robust and narrow electro-pneumatic guns for the application of glue tracks and dots

Regardless whether you require dot, line, swirl, spray or surface application: the multitude of variants and special designs allows the HM-500-series to meet any demand.

The HM-500-series achieves high cycle rates and a clean start up behaviour even after longer machine stops. This minimises the reject rate and provides a direct production start.

The compact HM-500 hotmelt guns set new glue application technology standards in terms of robustness and reliability. The powerful pneumatics in these guns allows the perfect application of even highly viscous glues at high production speeds. In addition to the connection to the Xmelt® XM-820 controllers, a connection via external controls (PLC) is also possible.

The HM-500-series is an integrated part of the Xmelt® Inter-Active system. The internal communication not only makes operation easier but also increases reliability and quality.

InterActive

This technology allows to exchange references and metered values between Xmelt® melters, hotmelt hoses and application guns. The melter detects all hoses and heads that are connected. Each one transmits its history and allowed parameters.

Thanks to this information the Xmelt® melter can adapt system parameters such as heating algorithms optimally to the connected heads and hoses. Additionally the InterActive technology supports external communication. You as a user can modify data on your computer and even via the internet. On the other end, Baumer hhs can detect problems online and solve them when needed.



Accessories

A variety of brackets is available for all applications

New job – different gun variations.



HM-500 - Dot and line
Standard gun for hotmelt application at high speeds



HM-500-Delta - Dot and line
Special design for case sealing



HM-500-D - Line
A multitude of exchangeable bolt-on nozzles



HM-500-MB - Dot and line
Application of several tracks close to each other



HM-500-SP - Spiramelt
Swirl application spray



HM-500-MH - Dot and line
Multiple heads



HM-500-SR - Spraying
Round spray pattern up to approx. 25 mm width



HM-500-ADH - Dot and line
Multiple heads, adjustable track distance by turning the guns



HM-500-SF - Spraying
Flat spray pattern up to approx. 45 mm width



HM-500-C - Coating
Special design for particularly even coating application



Accessories
Advanced distribution chamber design for coating head HM-500-C



Accessories
Examples of a variety of HM-500-D bolt-on nozzles

We cannot present all specifications due to the great variety of options for the HM-500-series. We therefore would like to ask you to contact Baumer hhs for additional technical information or visit us at www.xmelt.de.