



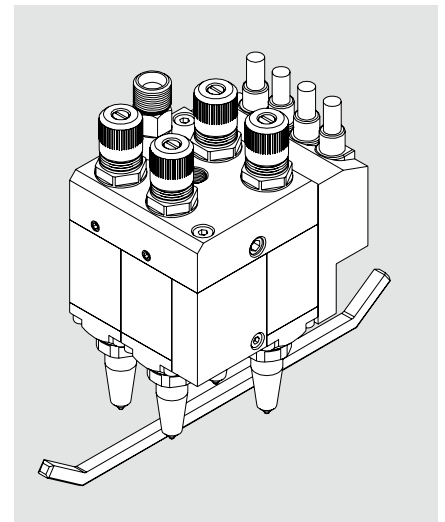
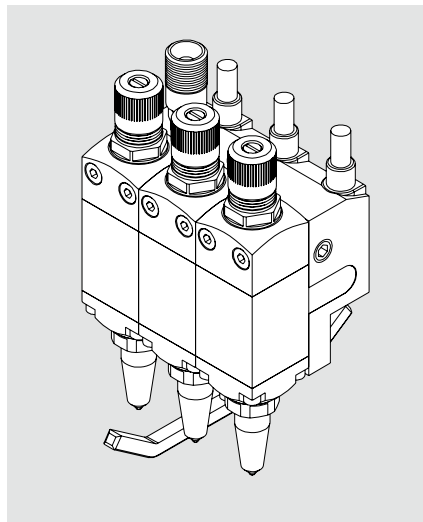
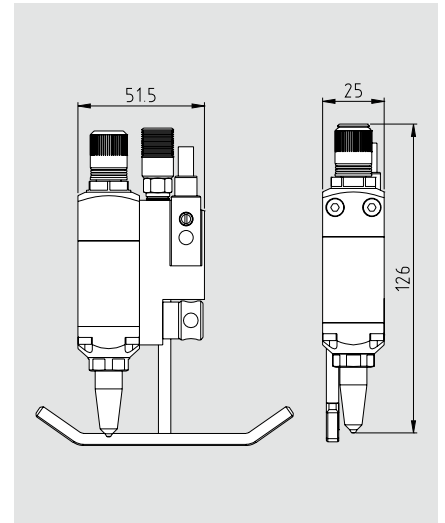
P-500 application head.
The power pack for cold glue application.
Fast, precise and intelligent.

P-500 electrical cold glue application head for dot and line gluing

The robust glue applicators with extremely high performance capability guarantee greatest productivity with minimum maintenance. Dot mode allows application of tiny amounts of glue. If more glue is required, optimised valve flow combined with a maximum glue pressure of 50 bar (725 psi) provides a wide setting range, allowing adjustment of the applied glue amount as required by product and machine speed at any time.

P-500

- for glues up to a viscosity of 4000 mPa.s
- max. 500 cycles per second
- wear-free nozzle seal with excellent cut-off performance
- reduced glue consumption in dot mode
- exact dosing from standstill to max. speed with dot to line switch-over
- robust design provides ease of maintenance and long service life
- integrated control indication simplifies diagnosis and monitoring of operation
- manual activation and purging through an integrated micro switch
- multi-nozzle application heads in single or double row arrangement available



All specifications subject to change without prior notice.

Specifications

Range	Description	Noise	Adhesive connection	max. pressure	max. frequency*
P-500	cold glue application head	<70 dBa	G1/4"	50 bar	500 cycles/sec.

* The number of cycles depends on the adhesive viscosity.

Baumer hhs offers an extensive range of gluing and quality assurance systems.
For more information see www.baumerhhs.com