

# PX 1000

**hhs**  
Baumer Group

The new standard in cold glue application.  
Powerful, precise, efficient



Let's stick together

[baumerhhs.com](http://baumerhhs.com)

# Perfect adhesive application with no compromises!

The demands on cold glue application in industrial packaging production are on the rise. New packaging designs, increasing machine speeds and ever-smaller runs are the factors influencing day-to-day production.

The PX 1000 cold glue application head is precisely the right solution for meeting your current and future needs. Using innovative methods, Baumer hhs has developed an application head that sets new standards in cold gluing.

## Maximum flexibility

With its newly engineered power unit, the PX 1000 is the most powerful electrical cold glue application head available. The range of adhesives it can process is significantly wider, and fluctuations in viscosity have no impact on application quality. That increases your flexibility and ensures consistent product quality.

## Precision up to maximum speeds

The PX 1000 can reliably apply adhesive on even the smallest glue flaps and closer to the flap edges than ever possible before, thanks to the application head's extremely short open/close times. Such high precision prevents inside gluing, machine contamination, and customer complaints.

## Perfect quality from the first product on

The PX 1000 displays excellent start-up behaviour. Its high closing force ensures that adhesives are applied cleanly, from the first product on, even after a period of downtime. In addition, its optimum application behaviour reduces cleaning cycles in production to an unprecedented low level.

## Sustainable production

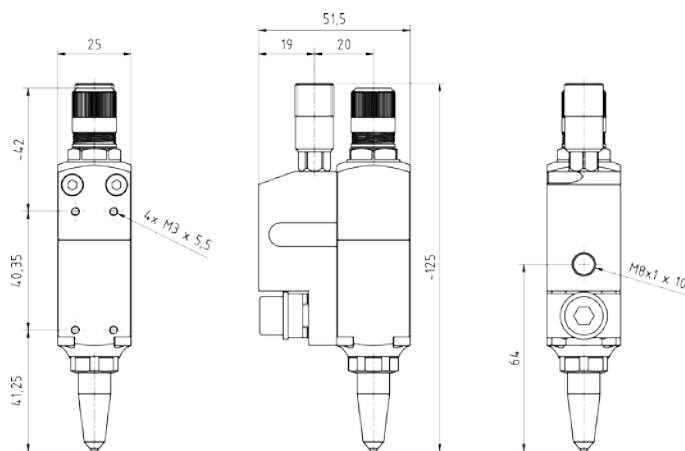
All the advantages of the PX 1000 help to make production more sustainable. Its application behaviour and perfect start-up considerably reduce production waste and prevent the risk of inside gluing. Innovations from Baumer hhs for your production process.



The ideal combination: PX 1000 cold glue application head and GDx 1000 cold glue sensor

## Technical data: PX 1000 application head

Specification	Value
Working pressure	1,0 – 50,0 bar
Adhesive viscosity, max. (Brookfield)	4000 mPa*s
Possible nozzle diameters	0,3; 0,4; 0,6 mm
Coil resistance (6V coil)	1,8 Ω
Temperature range	15 – 45 °C
Relative humidity, max. (non-condensing)	70 %
Noise emission	<70 dBA
Operating frequency	750 Hz at 20 bar adhesive pressure and 1,000 mPa*s



\*Dimensions in millimetres

- Perfect start-up behaviour
- Most powerful cold glue application head available
- Perfect application
- Operating frequency up to 750 Hz
- Wide viscosity range
- Application with no tailing

**hhs**  
Baumer Group

**Baumer hhs GmbH**

Adolf-Dembach-Straße 19 · 47829 Krefeld · Germany

Phone +49 2151 4402-0 · Fax +49 2151 4402-111

info.de@baumerhhs.com · baumerhhs.com